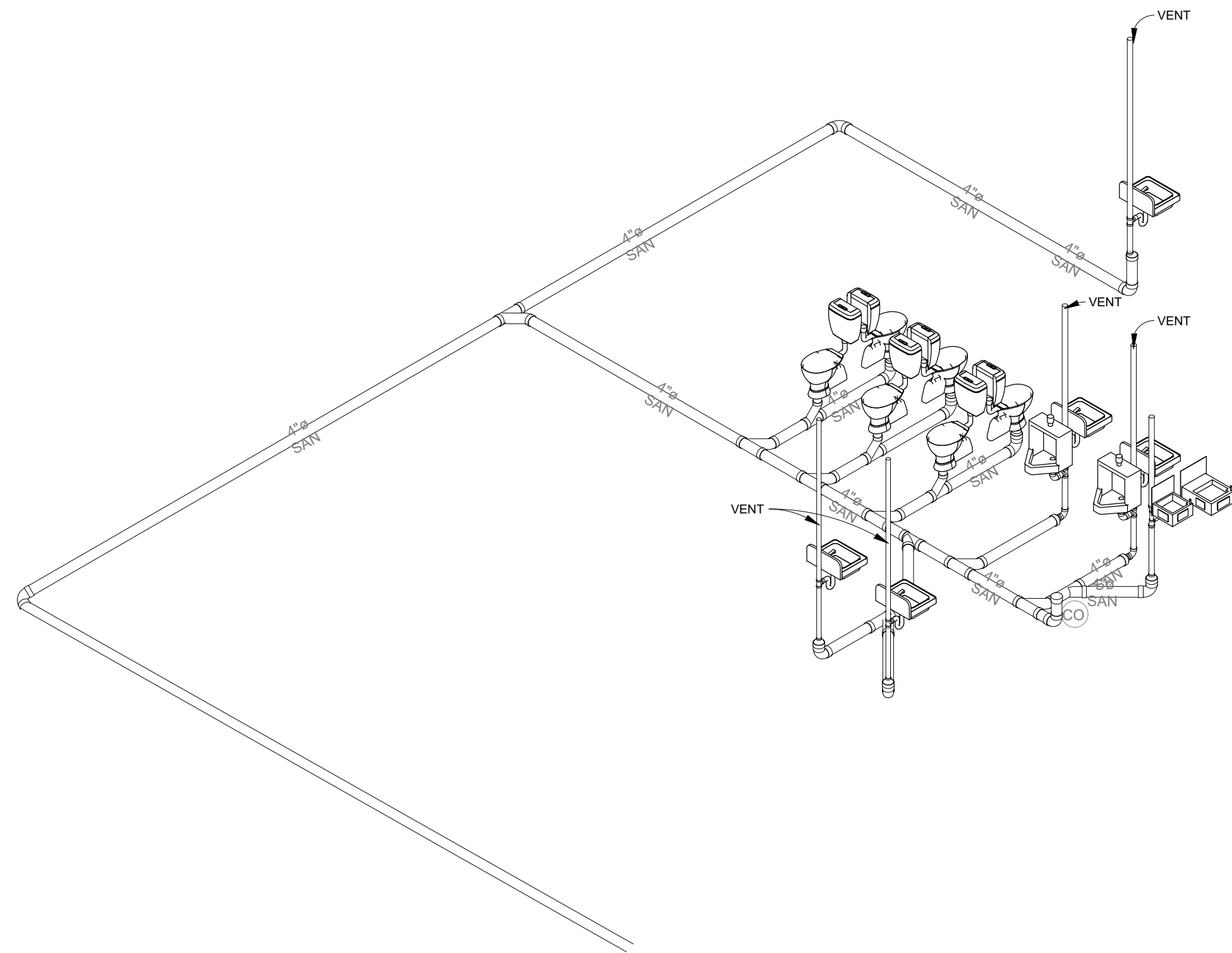
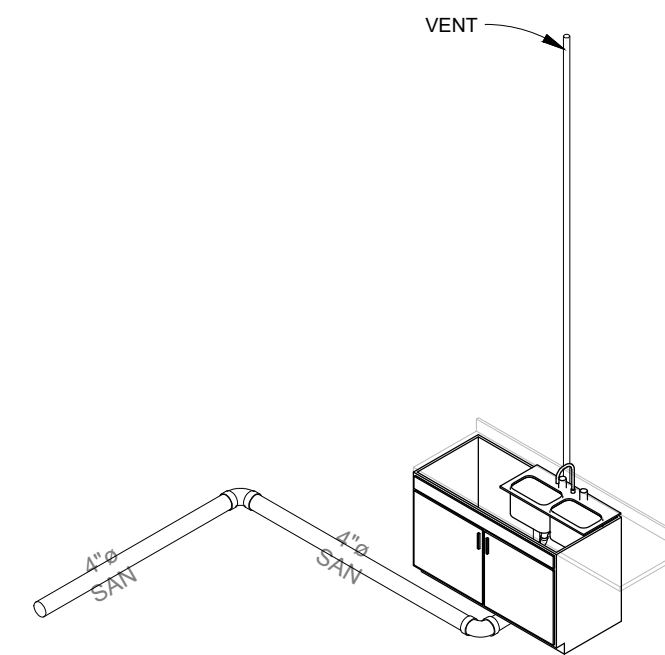


AutoCAD SHX Text
ccc



1 | SANITARY RISER
P-3 | SCALE: NONE



PLUMBING SPECIFICATIONS:

INSTALL A COMPLETE, FUNCTIONAL PLUMBING SYSTEM COMPLYING WITH ALL ACCEPTABLE CODES, ORDINANCES, LAWS, AND REGULATIONS. DWV SYSTEMS AND WATER DISTRIBUTION PIPES TO COMPLY WITH 2018 IPC.

OBTAIN PERMITS AND INSPECTIONS REQUIRED FOR THE INSTALLATION OF THIS WORK, AND PAY ALL CHARGES INCIDENT HERETO.

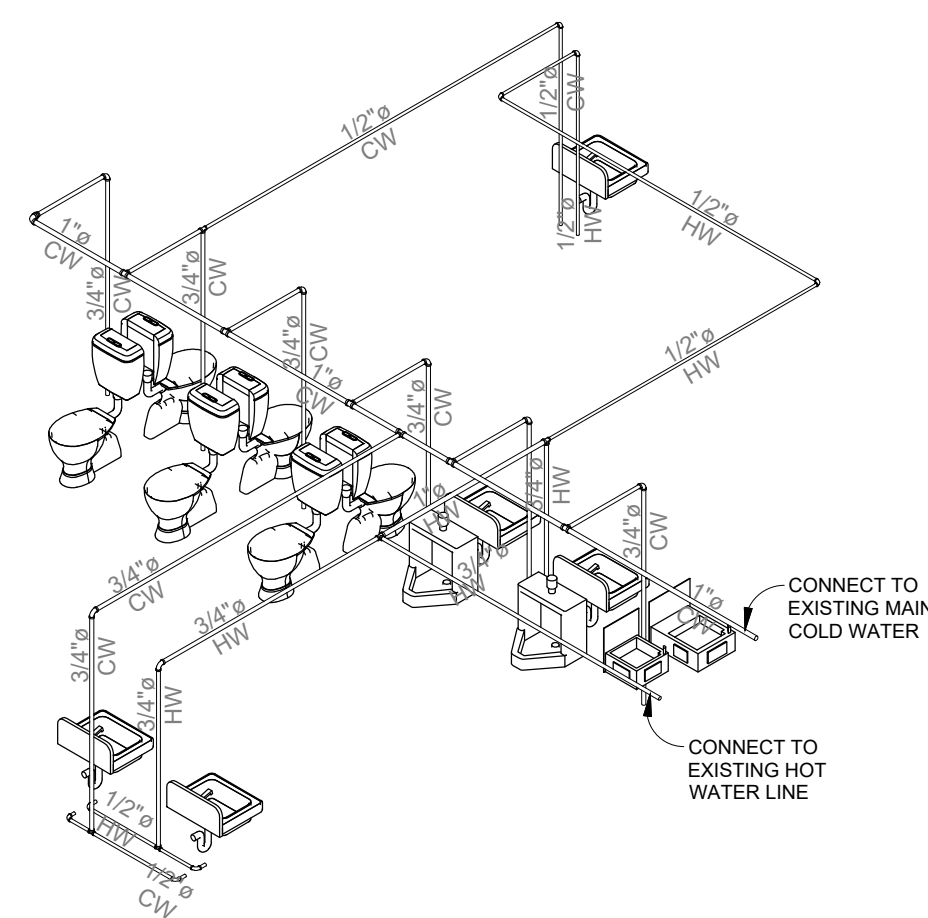
GUARANTEE THE COMPLETED WORK FOR A PERIOD OF ONE (1) YEAR, BEGINNING FROM THE DAY OF FINAL ACCEPTANCE BY OWNER.

INSTALL ALL EQUIPMENT AND MATERIALS PER MANUFACTURER'S RECOMMENDATIONS.

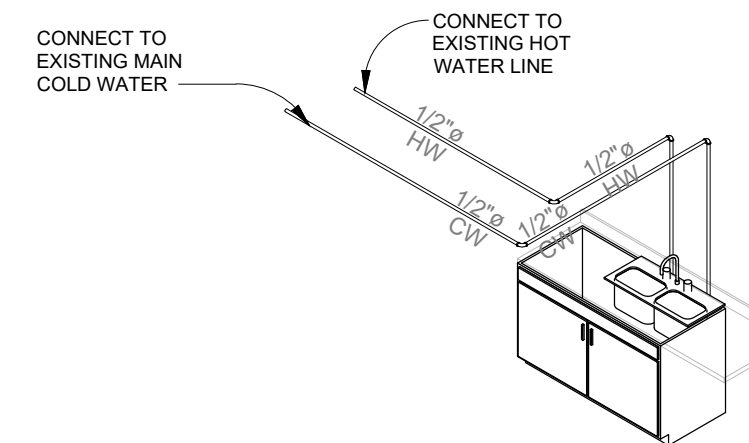
WATER PIPING: PLASTIC WATER PIPE (CPVC) APPROVED. IF COPPER, USE TYPE 'L' HARD COPPER ABOVE GRADE, TYPE 'K' BURIED, LEAD-FREE SOLDER. ROUTE WATER PIPES SO IT WILL NOT BE EXPOSED TO FREEZING TEMPERATURES.

ALL ABOVE-GROUND WATER PIPING AND RELATED VALVES, FITTINGS, AND JOINTS SHALL BE INSULATED WITH 1/2\"/>

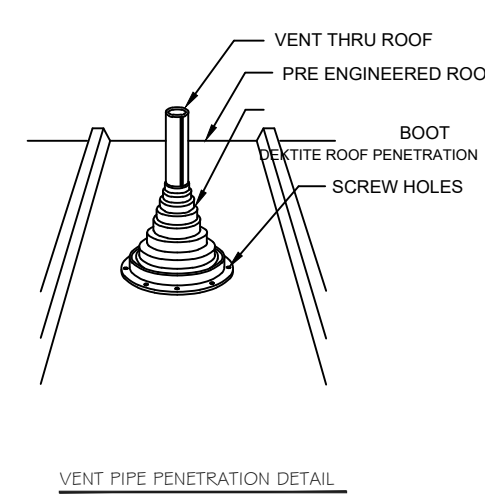
SOIL, WASTE, AND VENT PIPING SCHEDULE 40 DWV PVC PLASTIC PIPE WITH SOLVENT-WELDED JOINTS WHERE PERMITTED BY PLUMBING AND FIRE CODES; CAST IRON OTHERWISE.



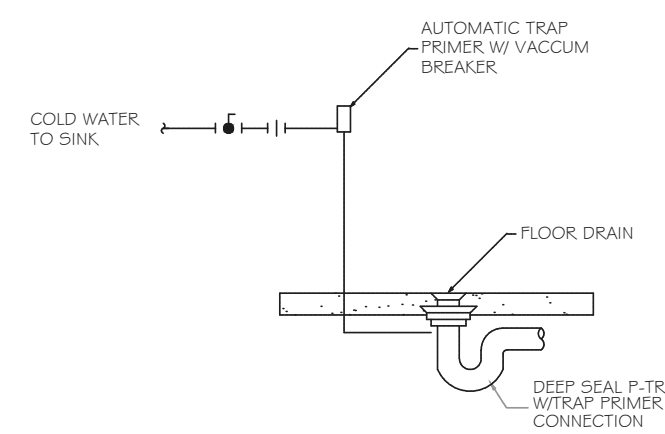
2 | WATER SUPPLY RISER
P-3 | SCALE: NONE



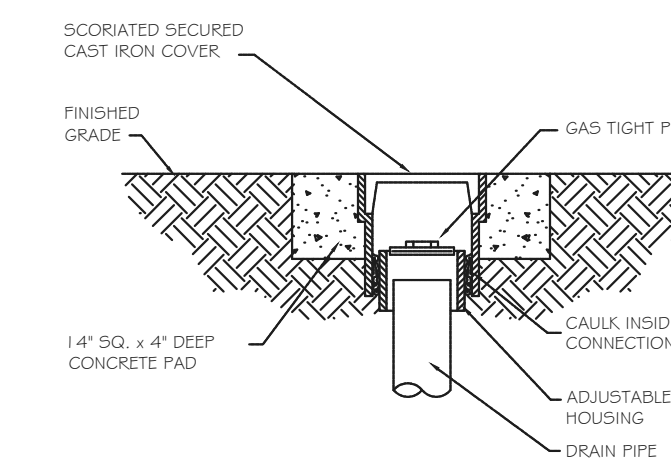
GENERAL PLUMBING FIXTURE CONNECTION SCHEDULE							
DESCRIPTION	MINIMUM CONNECTION SIZE				MTG. HT. FLOOR TO RIM	FLOW RATE GPM	REMARKS
	WASTE	VENT	CW	HW			
WATER CLOSET	4"	2"	1/2"	--	17"	1.26 GPF AVG.	TOTO MODEL CST744SL OAE, 1.28 GPF FLOOR MOUNTED FLUSH TANK, ADA
LAVATORY	4"	2"	1/2"	--	TBD BY G.C.	0.5 GPM	AMERICAN STANDARD O476.028 OAE, WITH DELTA FAUCET 520-DST, ADA
URINAL	4"	--	1/2"	--	TBD BY G.C.	0.5 GPF	TBD BY OWNER
HAND SINK	4"	2"	1/2"	1/2"	36"	0.5 GPM	TO BE PROVIDED BY OWNER



VENT PIPE PENETRATION DETAIL
SCALE: NONE



FLOOR DRAIN DETAIL
SCALE: NONE



CLEANOUT TO GRADE DETAIL
SCALE: NONE

MEP Update | Pricing Plans | McCallum Buildout | 031325



P. O. BOX 1690
SNELLVILLE, GA 30078
770-861-5765
MIKE@FYNNENG.COM



Client: McCALLUM GROUP, INC
SALES REPRESENTATIVES
Release History
Date: MARCH 10, 2025
Issued: RELEASED FOR CONSTRUCTION

#	Date	Revisions

©2025 FYNN ENGINEERING, LLC. Drawings, written material, and design concepts shall not be used or reproduced in whole or part in any form or format without prior written consent of Fynn Engineering, LLC. Do not scale drawings. Use given dimensions only. If not shown, verify correct dimensions with the Engineer. Contractor shall check and verify all dimensions and conditions at job site.



Project Number: 25-5950-01
Project Name: McCALLUM OFFICES
Project Address: McCALLUM GROUP, INC. 5950 PARKWAY NORTH BLVD CUMMING, GA 30040

Drawing Name: PLUMBING RISERS, SCHEDULES, DETAILS, NOTES.
Sheet Name

P-3

Drawn By: MKF
Checked By: MKF