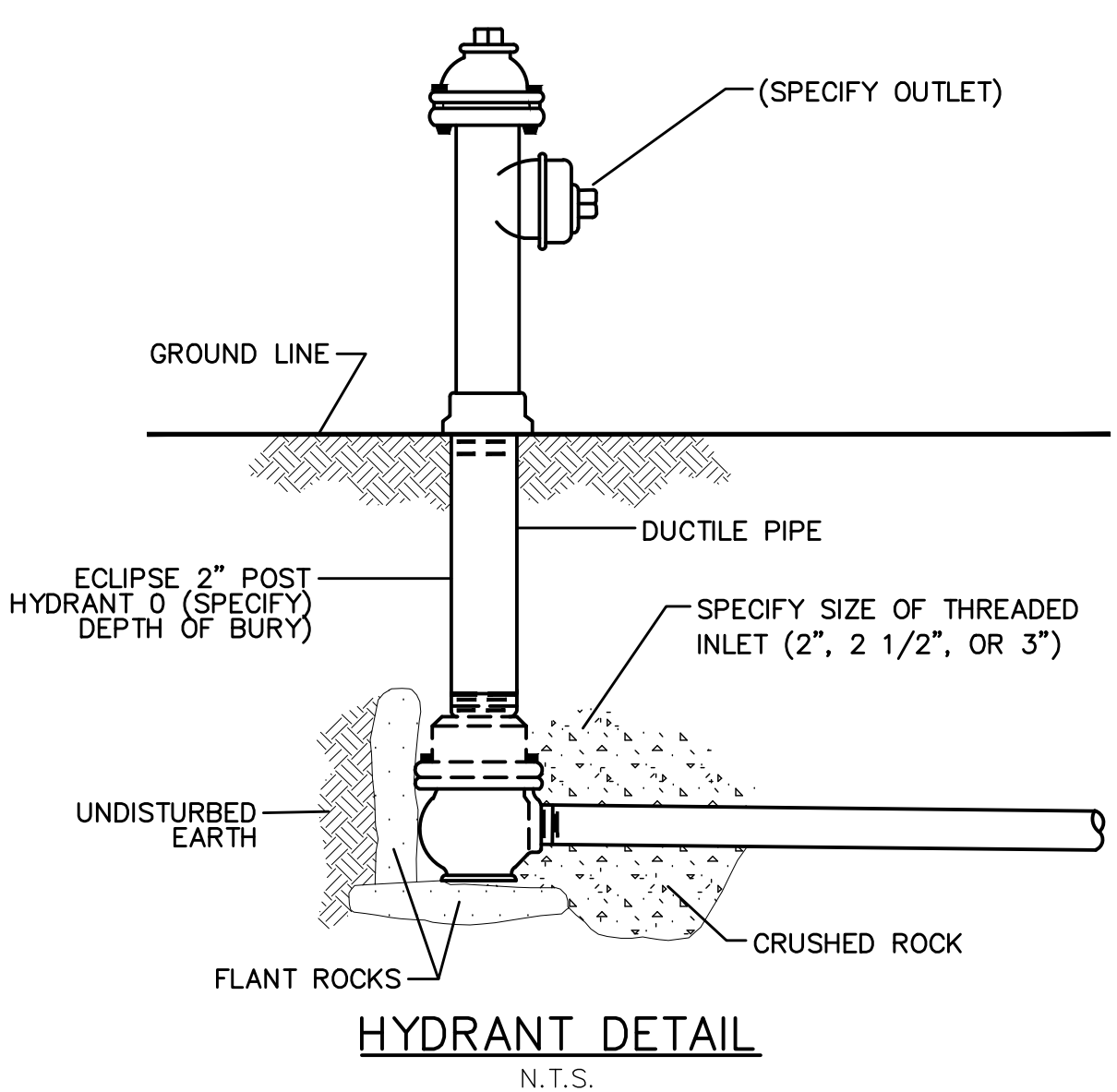
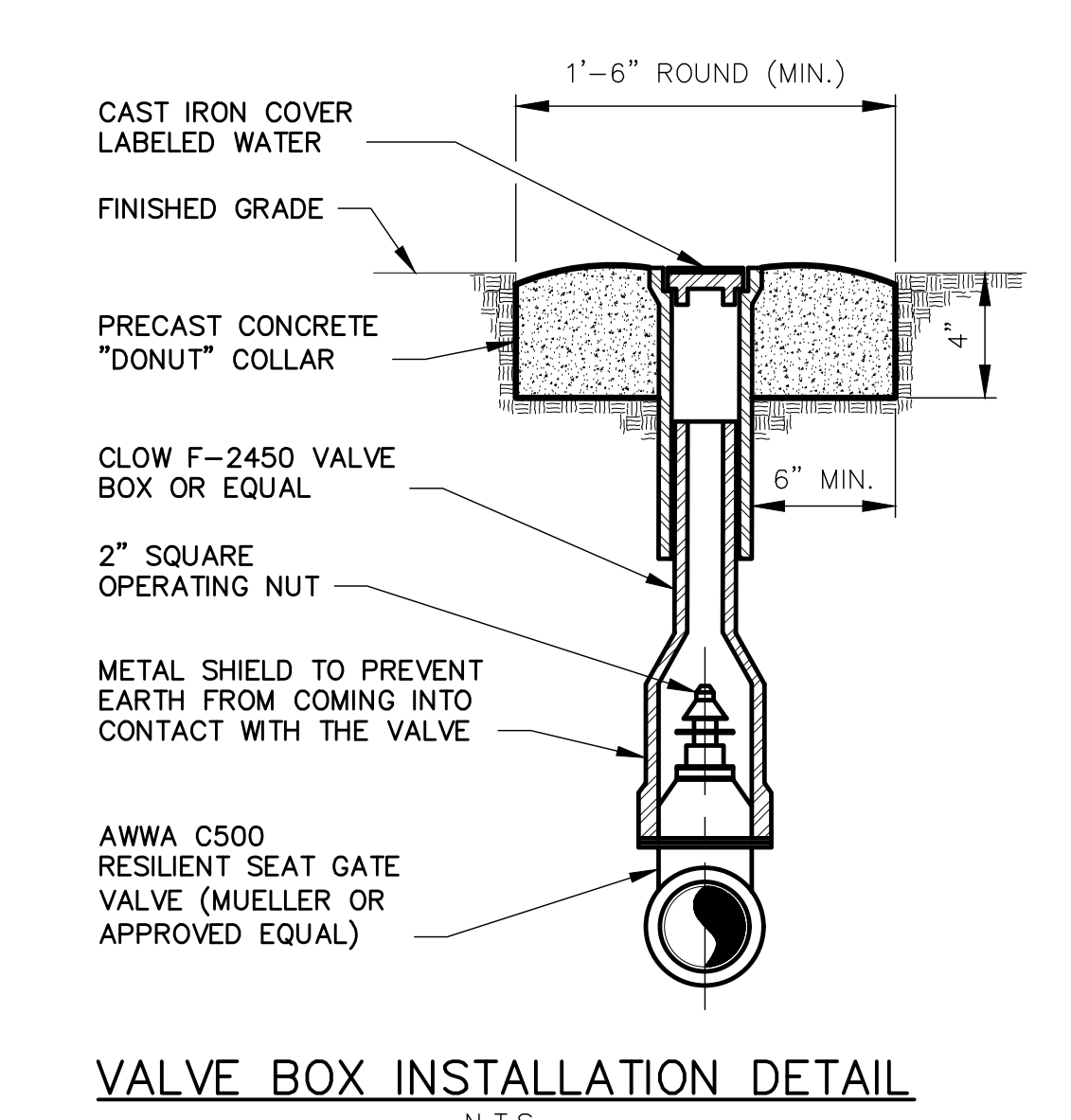


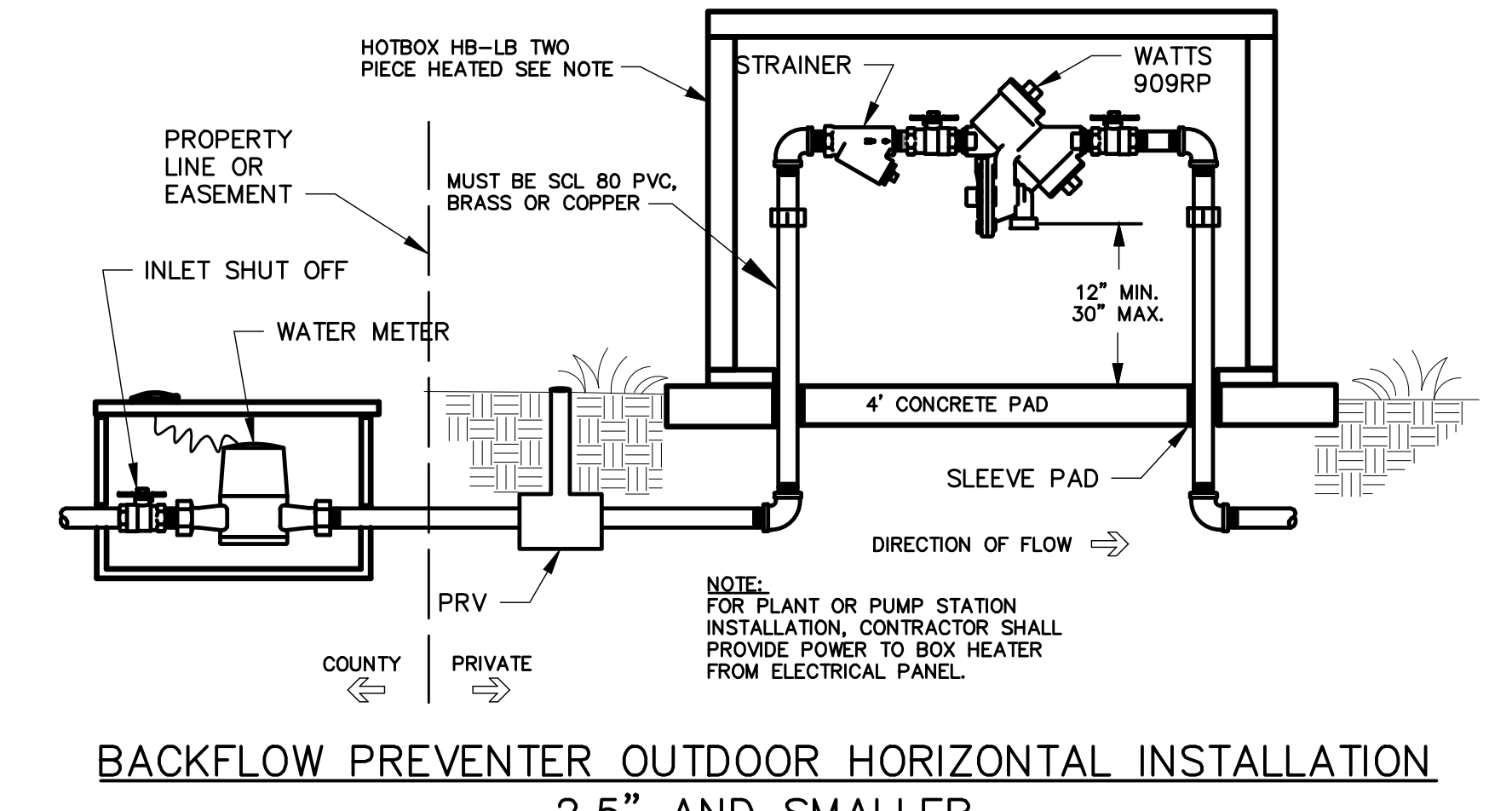
TYPICAL SERVICE CONNECTION  
N.T.S.



HYDRANT DETAIL  
N.T.S.

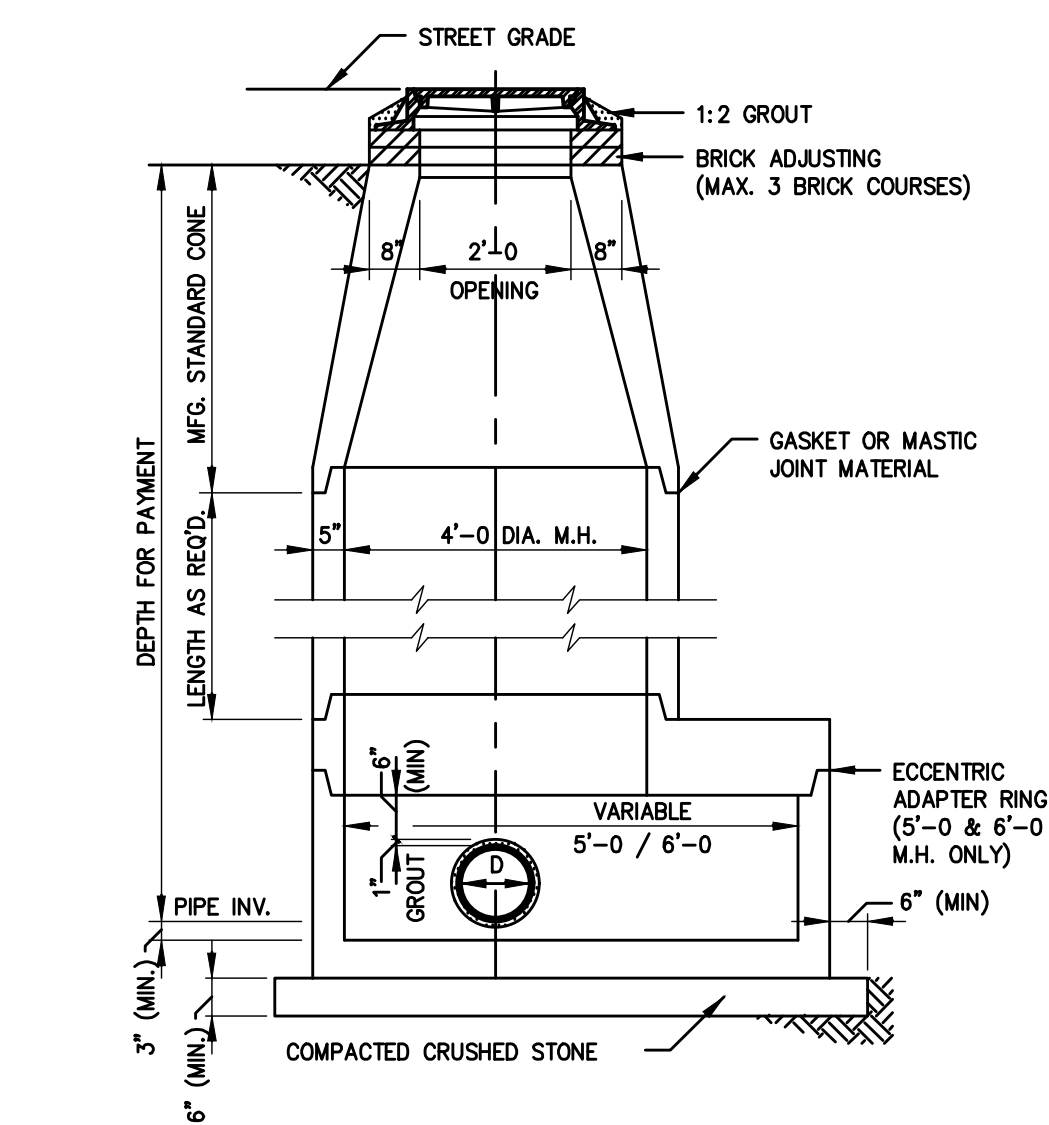


VALVE BOX INSTALLATION DETAIL  
N.T.S.

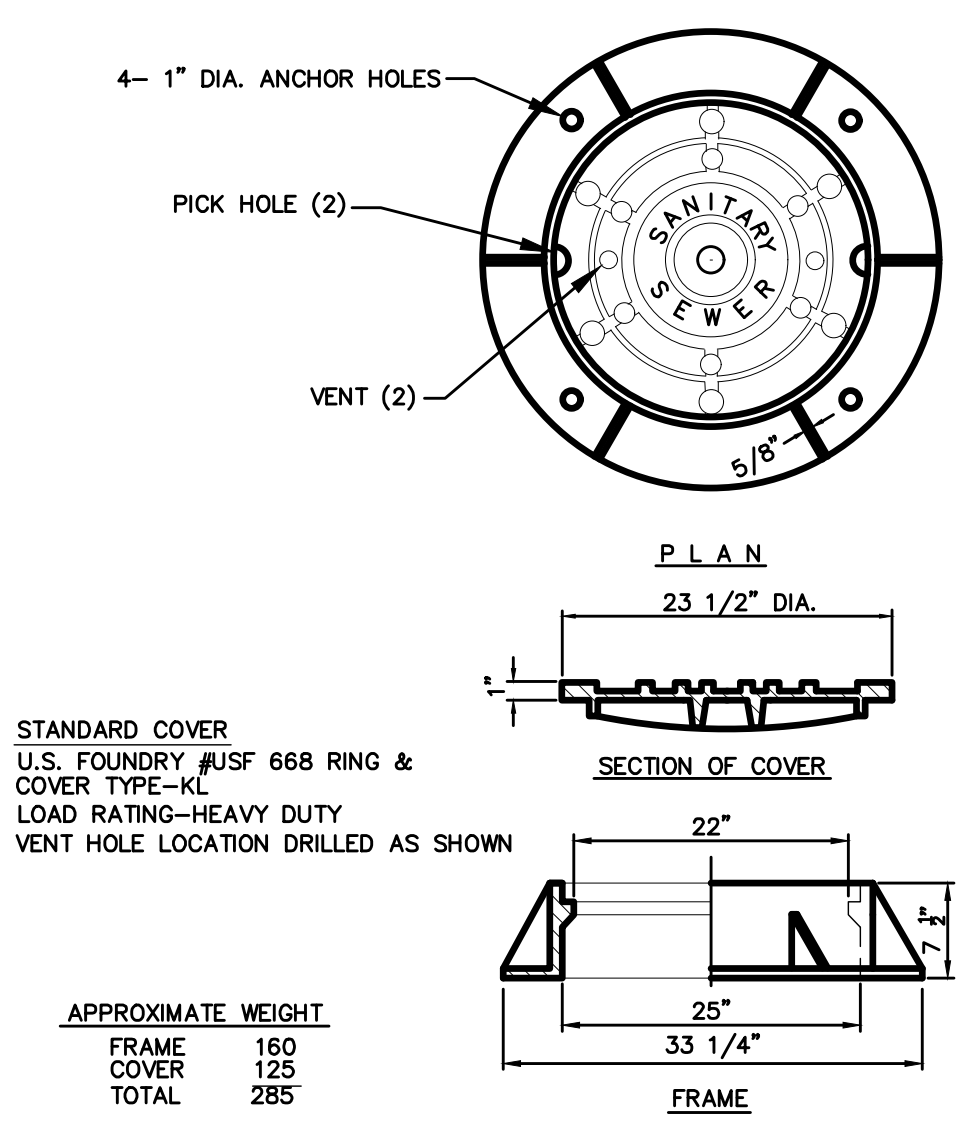


BACKFLOW PREVENTER OUTDOOR HORIZONTAL INSTALLATION  
2.5" AND SMALLER  
N.T.S.

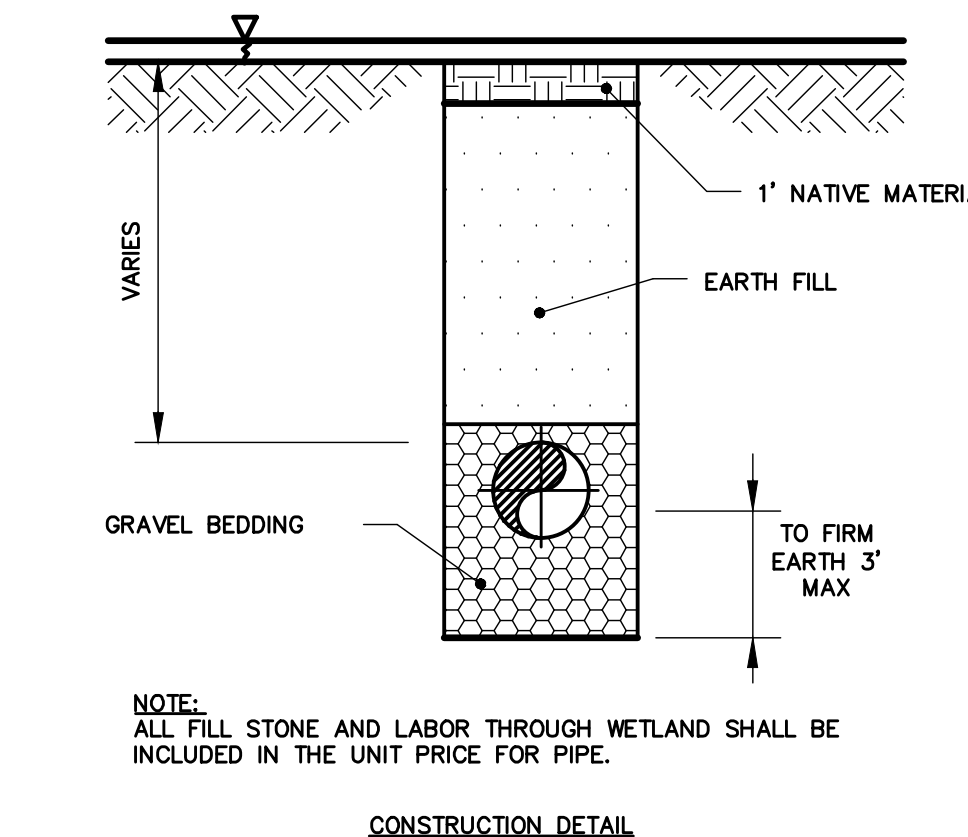
NOTE:  
M.H. COVERS TO BE SET AT GRADE IN ROADWAYS, ROAD SHOULDERS AND RESIDENTIAL YARDS. ALL OTHER M.H. COVERS TO EXTEND 1'-0" ABOVE GRADE EXCEPT WHERE NOTED OTHERWISE ON CONTRACT PLANS.



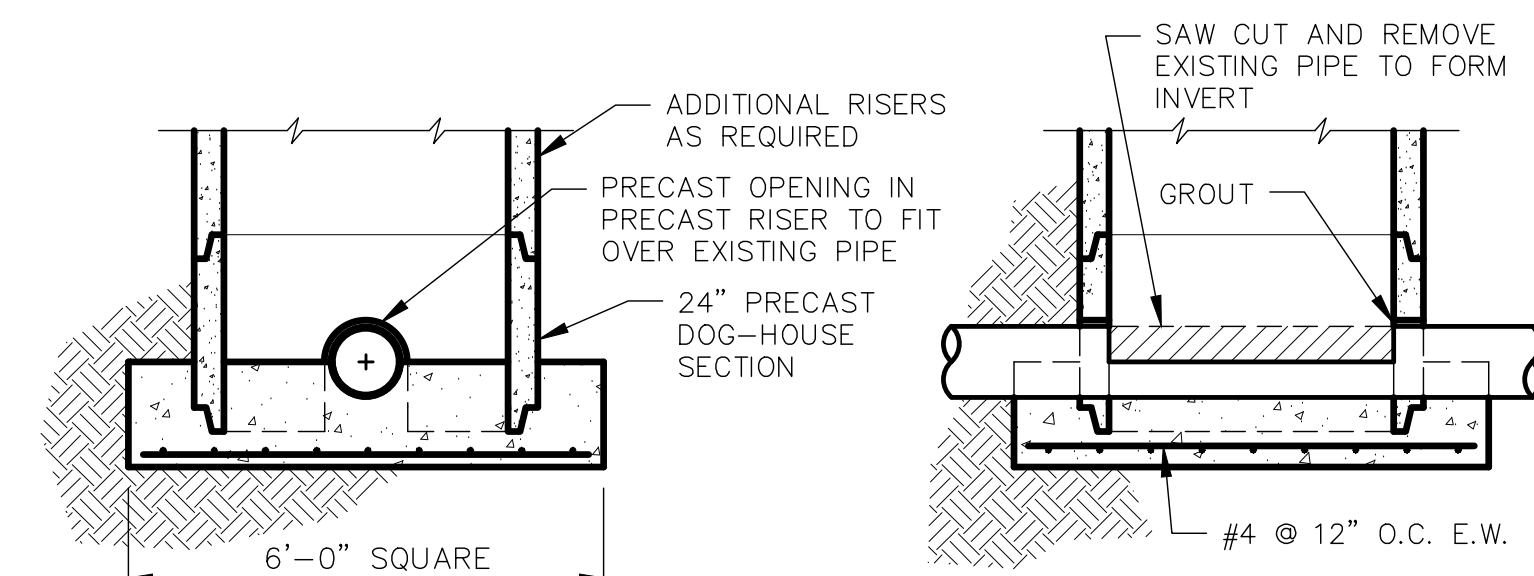
TYP. PRECAST CONC. M.H. DET.  
N.T.S.



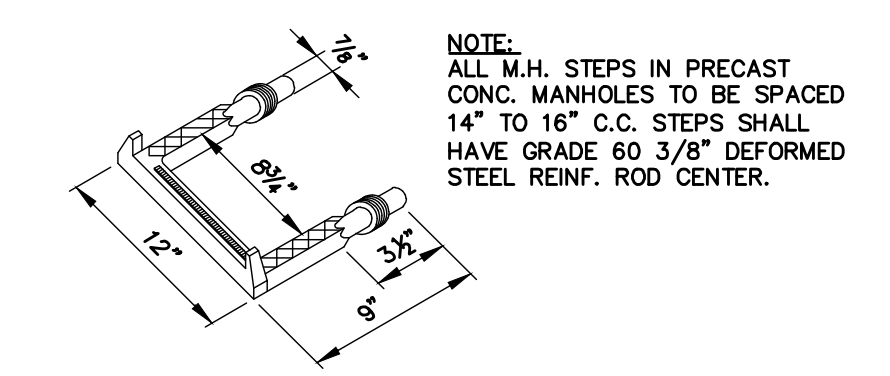
VENTED MANHOLE FRAME & COVER  
N.T.S.



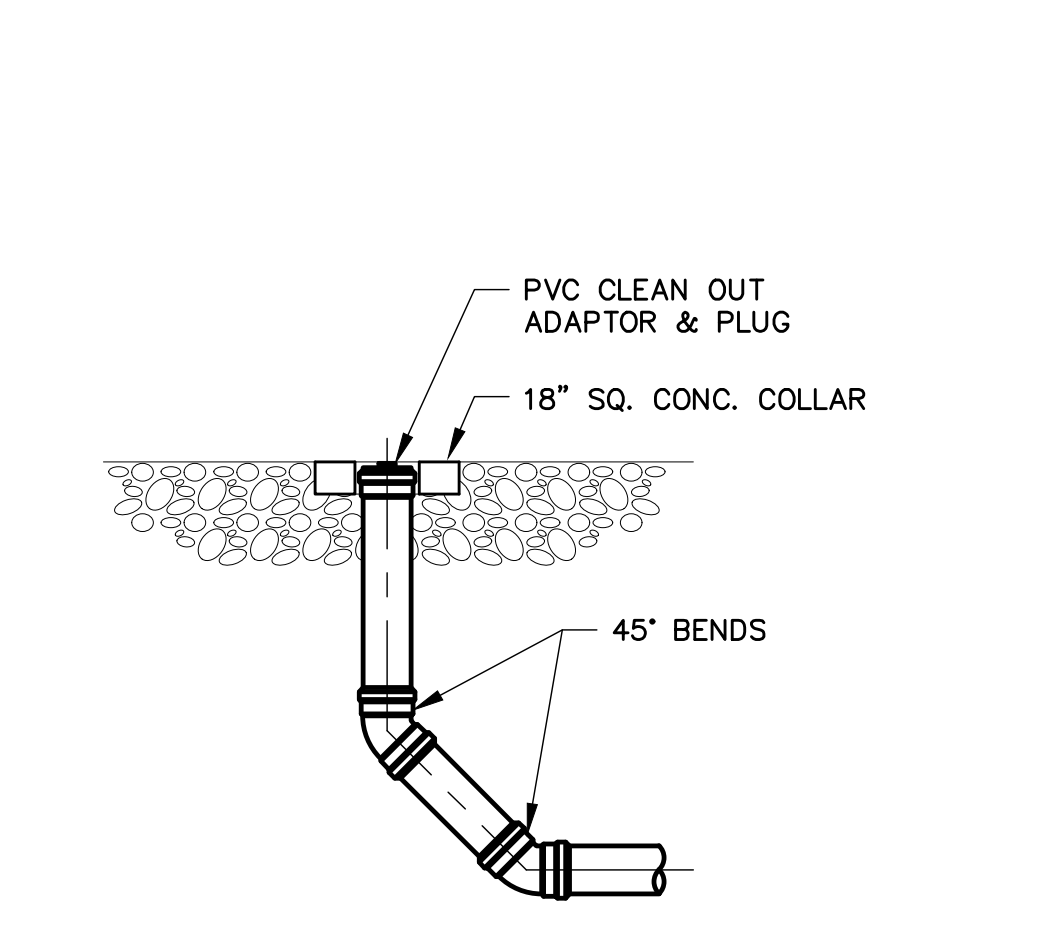
SEWERLINE THROUGH WETLAND  
N.T.S.



CONNECTOR MANHOLE  
N.T.S.



POLYPROPYLENE PLASTIC  
MANHOLE STEP DETAILS  
N.T.S.

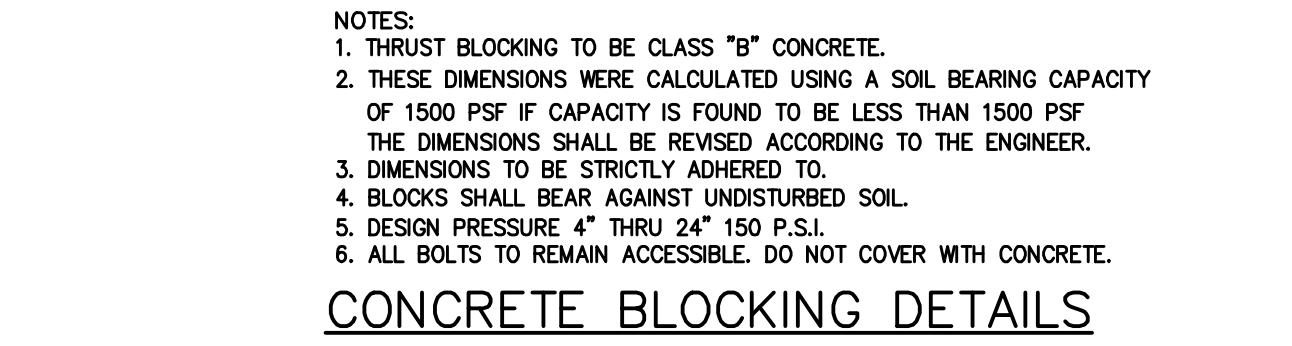


CLEANOUT DETAIL  
N.T.S.

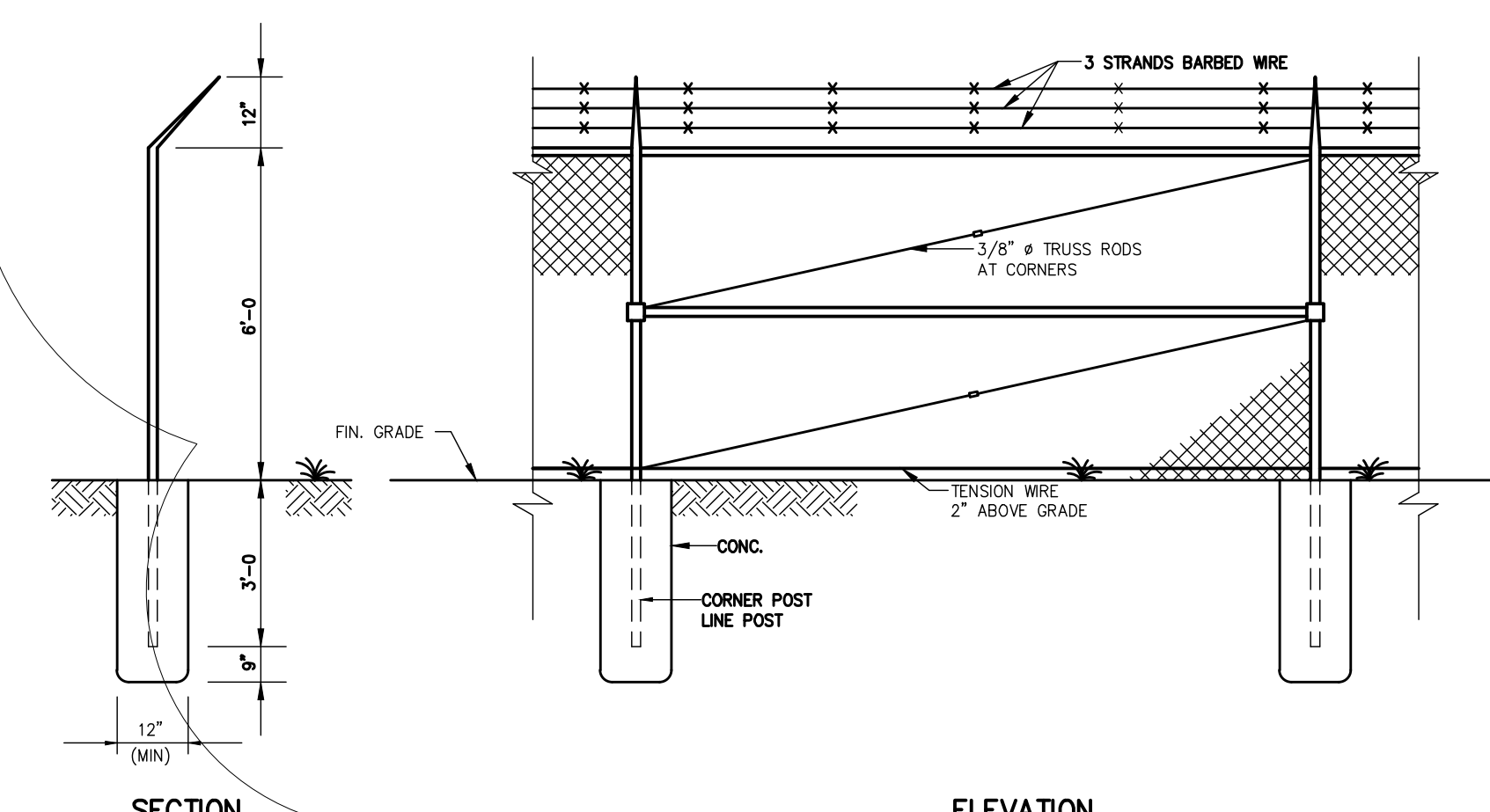
CONCRETE BLOCK DIMENSIONS

PIPE SIZE	TEES & FLUES				BENDS			
	W	L	W	L	W	L	W	L
4"	1'-0"	1'-3"	8"	9"	10"	1'-2"	1'-3"	1'-3"
6"	1'-6"	1'-11"	1'-0"	1'-2"	1'-2"	1'-11"	1'-8"	2'-5"
8"	2'-0"	2'-7"	1'-2"	1'-9"	1'-6"	2'-7"	2'-2"	3'-4"
10"	2'-6"	3'-2"	1'-4"	2'-4"	1'-10"	3'-4"	2'-8"	4'-2"
12"	3'-0"	3'-10"	1'-8"	2'-8"	2'-2"	4'-0"	3'-2"	5'-1"
16"	4'-0"	5'-1"	2'-3"	3'-5"	2'-11"	5'-4"	4'-2"	6'-10"
24"	5'-11"	7'-8"	3'-5"	5'-2"	4'-4"	8'-0"	5'-0"	12'-9"

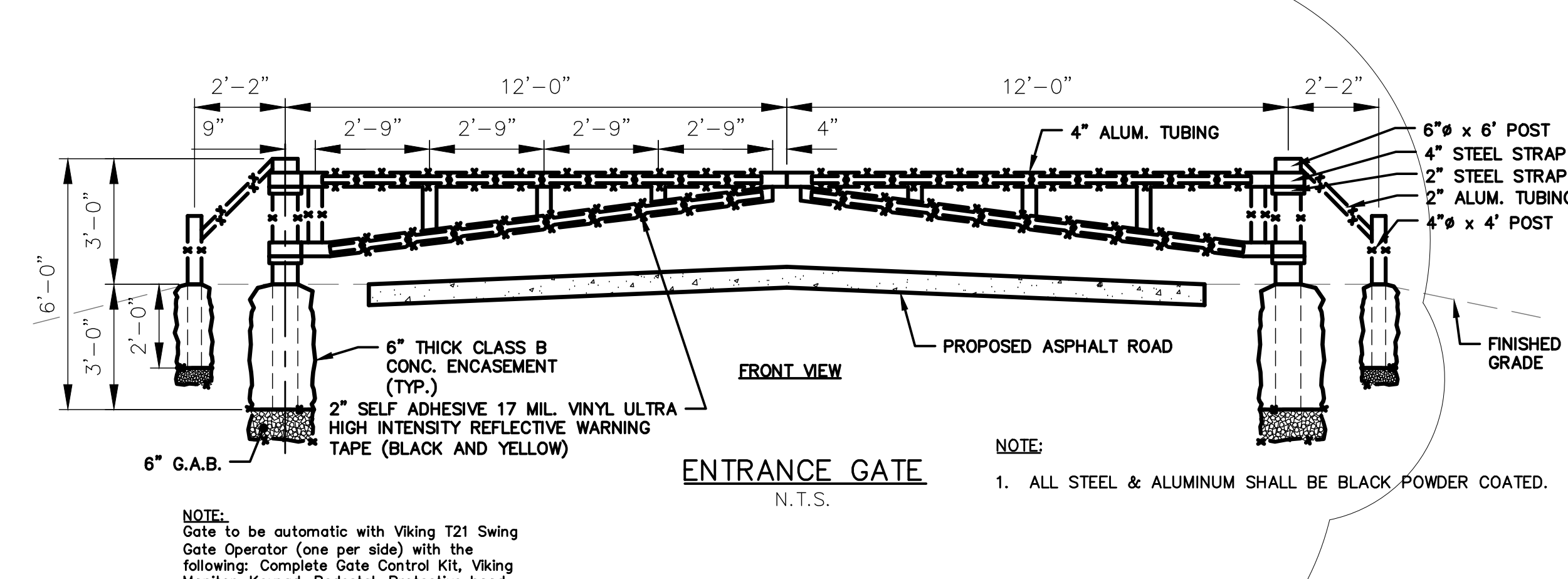
NOTE:  
COST OF CONCRETE BLOCKING TO BE INCLUDED IN COST OF FITTINGS, VALVES, AND FIRE HYDRANTS AS REQUIRED. NO SEPARATE PAYMENT WILL BE MADE FOR CONCRETE BLOCKING.



CONCRETE BLOCKING DETAILS  
N.T.S.



CHAIN LINK FENCE DETAIL  
N.T.S.



ENTRANCE GATE  
N.T.S.